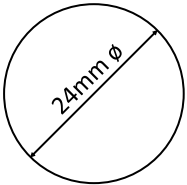
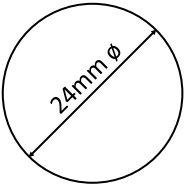
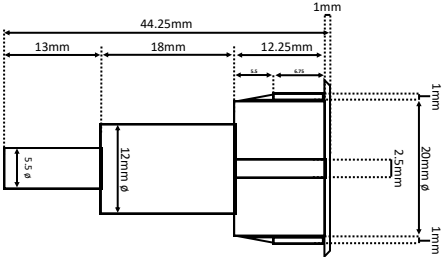
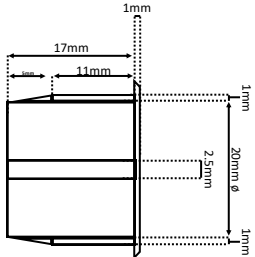
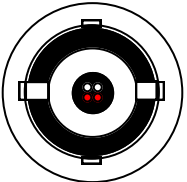
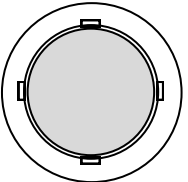

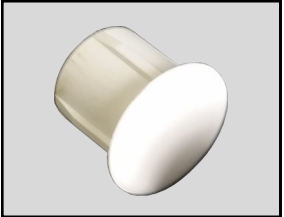


<b>FRONT</b>	<p style="text-align: center;"><b>CONTACT</b></p> 	<p style="text-align: center;"><b>MAGNET</b></p> 	<p><b>DESCRIPTION</b></p> <p>Grade 2, Class III 4 wire flush contact for steel doors. Circular plate. Single reed, normally closed. <i>(complete circuit when magnet present).</i></p>
<b>SIDE</b>			<p><b>VARIANTS</b></p> <p>AR02                      2 TERMINAL VARIANT AR04                      RESISTORED VARIANT</p> <p><b>ACTIVATION</b></p> <p>Reed switch, ~15-20mm operating gap <i>(in steel)</i>.</p>
<b>BACK</b>			<p><b>WIRING</b></p> <p>RED WIRES                      TAMPER LOOP WHITE WIRES                      REED SWITCH</p> <p><b>MATERIALS</b></p> <p>LG Chem AF-312 ABS, Flame Retardant, Hi Impact, Hi Flow UL94 flammability. Ferrite/Alnico V magnet. Rhodium reed.</p>
<b>IMAGE</b>			<p><b>TEMPERATURE RANGE</b></p> <p>-40 to +50 degrees Celsius.</p> <p><b>ELECTRICALLY RATED AS FOLLOWS</b></p> <p>500mA Max DC. 500mA Max AC.</p> <p>1 – 100v DC. 125v AC Max.</p>



**KNIGHT**  
FIRE & SECURITY

Unit 84 Seawall Road Ind. Estate  
Cardiff UK CF24 5TH  
Tel: +44 (0) 2920 488 129  
Fax: +44(0) 2920 489 132

**Drawing #:** AR03-FR  
**Drawn:** Gareth Carpenter  
**Date:** 01/07/2024  
**Revision:** 1

All dimensions in mm  
Do not scale



© Knight Fire & Security Products Ltd  
All cases of infringement will be pursued.